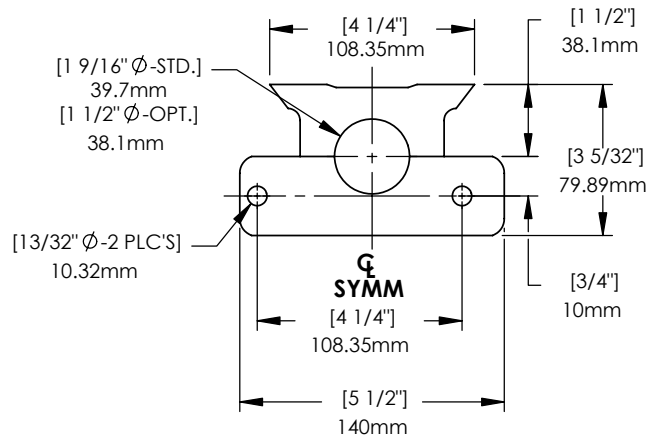
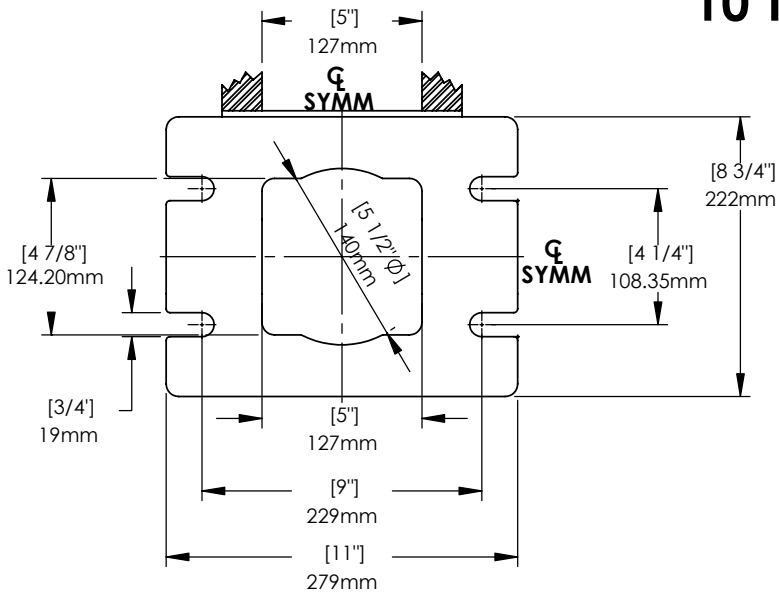
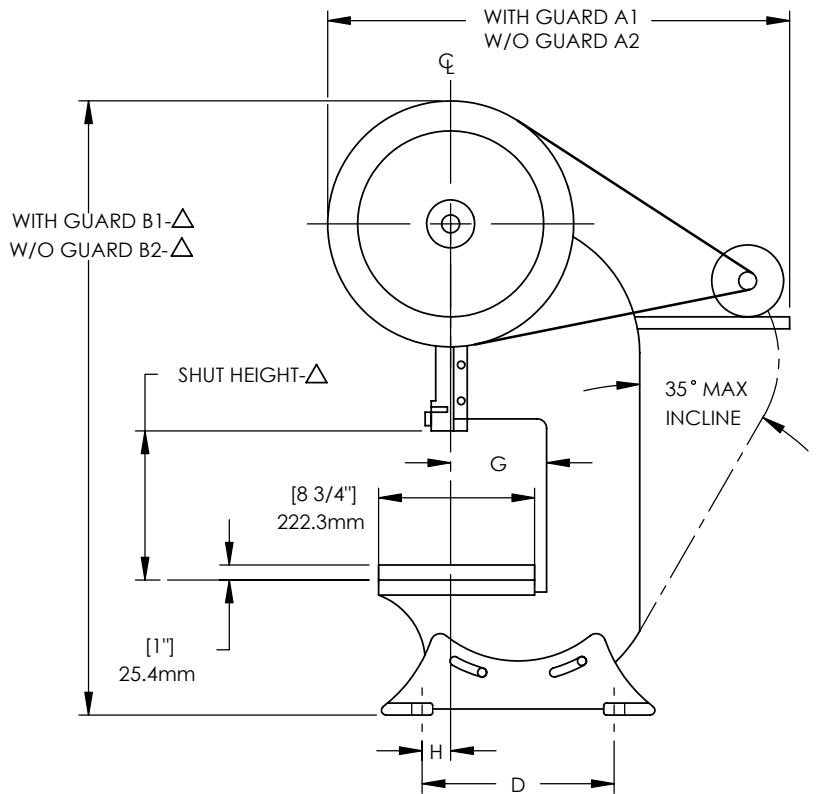
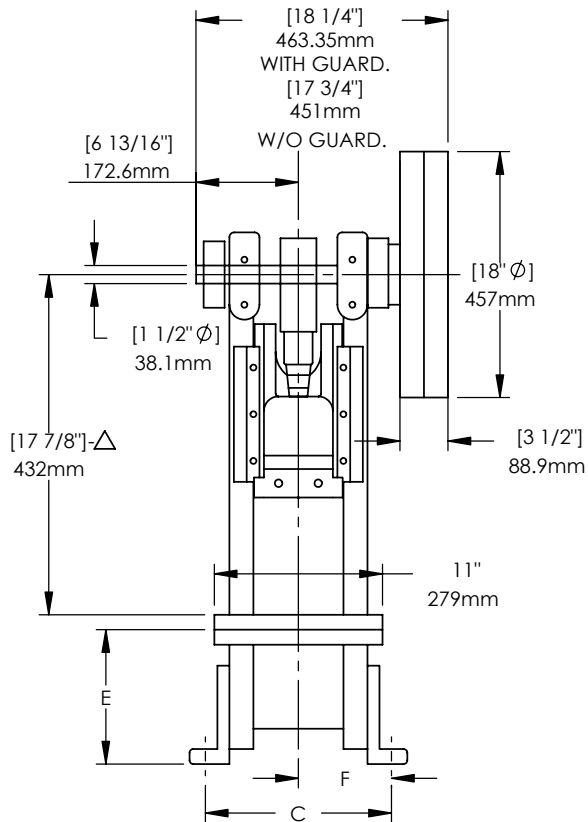


10 TON PRESS



RAM FACE

O.B.I., D.T. & FIXED BED



△ = ADD 3" (76.2mm) FOR "X" OR 6" (152mm) FOR "XX" MODEL PRESSES

STROKE LENGTHS		1 1/4" 31.75mm	1 1/2" 38.1mm	2" 50.8mm	2 1/2" 63.5mm	3" 76.2mm
SHUT HEIGHT STROKE DOWN, RAM ADJUSTMENT UP UP 1 1/2" (38.1mm) RAM ADJUSTMENT.	STANDARD SHUT HEIGHT	7 3/4" 297mm	7 1/2" 190mm	7" 178mm	6 1/2" 165mm	6" 152mm
	EXTRA SHUT HEIGHT X 3" (76.2mm)	10 3/4" 273mm	10 1/2" 267mm	10" 254mm	9 1/2" 241mm	9" 229mm
	EXTRA SHUT HEIGHT XX 6" (152mm)	13 3/4" 349.45mm	13 1/2" 343.1mm	13" 330.4mm	12 1/2" 317.7mm	12" 305mm

FOR MORE INFORMATION, CONTACT YOUR LOCAL BENCHMASTER DISTRIBUTOR, OR CALL MONECO DIRECT AT 1-800-421-5225

MONECO MACHINE COMPANY INC.
13920 STRUIKMAN ROAD
CERRITOS, CALIFORNIA 90703
FAX: 562-404-9913
TEL: 562-926-6906



PRESS	A-1	A-2	B1	B2	C	D	E	F	G	H
O.B.I.	29 3/4" 756mm	28" 712mm	38 1/2" 978.5mm	36 1/2" 927.7mm	10 7/8" 276.2mm	12 5/8" 320.9mm	7 9/16" 192.3mm	5 7/16" 138.1mm	5" 127mm	1 15/16" 49.2mm
DT	38 1/2" 987.5mm	36 1/2" 927.7mm	46 7/8" 1191.2mm	44 7/8" 1138.2mm	12 1/8" 308.17mm	14 1/4" 413.35mm	10 3/8" 263.52mm	6 1/16" 153.59mm	12" 305mm	2 3/8" 60.32mm
F.B.	29 3/4" 756mm	28" 712mm	35" 889.6mm	33" 801mm	10 1/4" 260.35mm	10" 254mm	4 1/2" 114mm	5 1/8" 130.17mm	5" 127mm	1 3/8" 34.92mm

*CENTER LINE IS IN FRONT OF MOUNTING SLOT