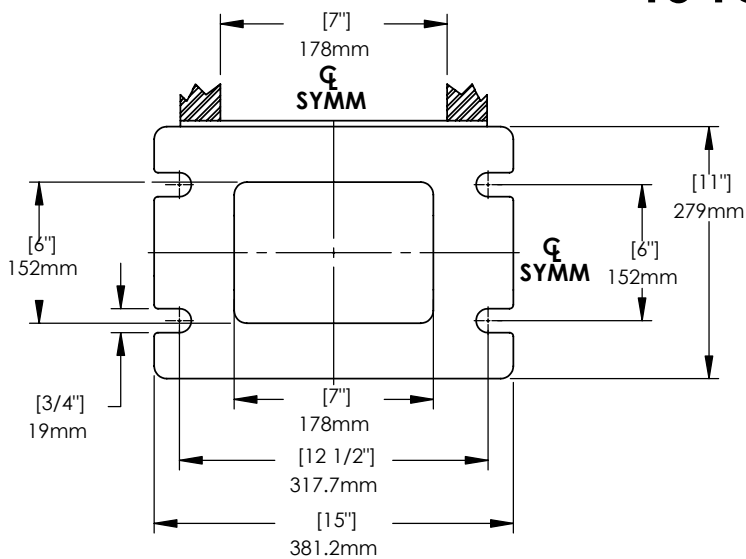
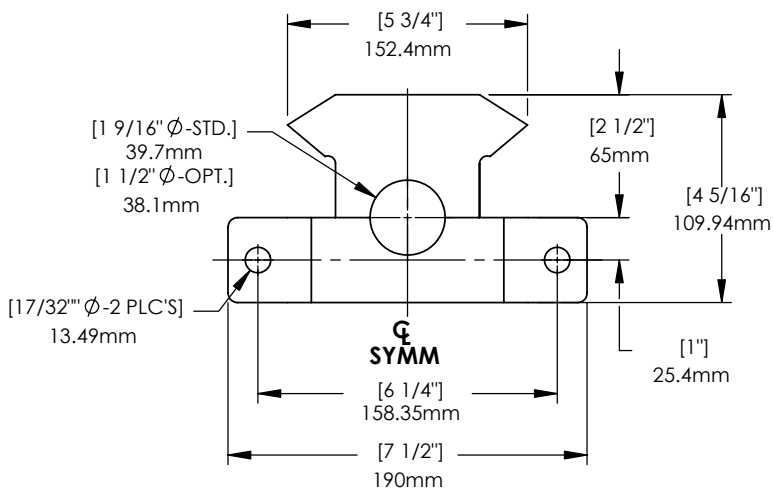


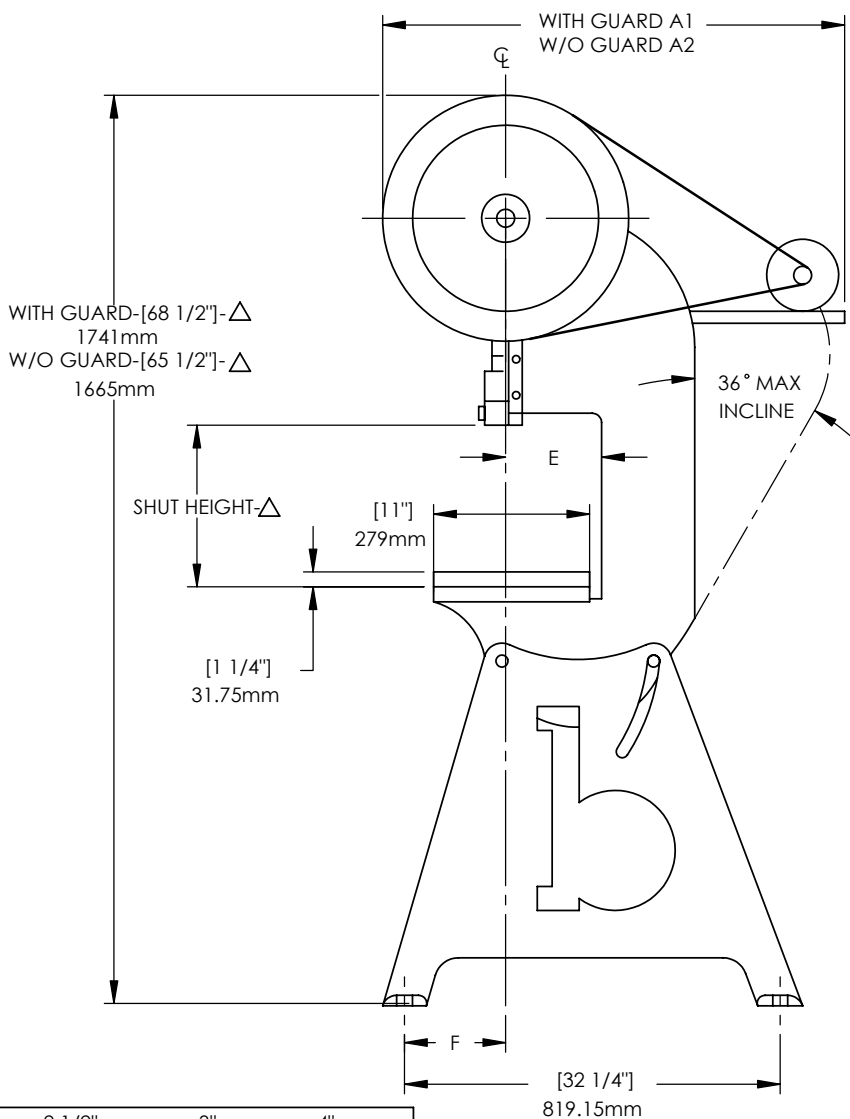
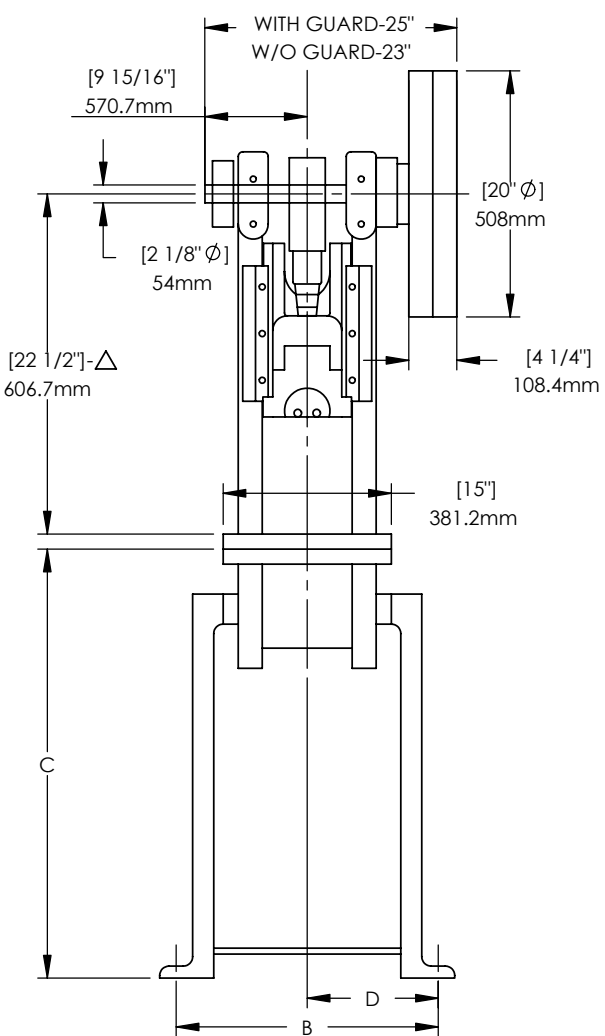
# 15 TON PRESS



**O.B.I. & D.T.**



**RAM FACE**



△ = ADD 3" (76.2mm) FOR "X" MODEL PRESSES

STROKE LENGTHS		2"	2 1/2"	3"	4"		
		50.8mm	63.5mm	76.2mm	102mm		
<b>SHUT HEIGHT</b> STROKE DOWN, RAM ADJUSTMENT UP UP 1 1/2" (38.1mm) RAM ADJUSTMENT.	STANDARD SHUT HEIGHT	8"	7 1/2"	7"	6"		
	EXTRA SHUT HEIGHT X 3" (76.2mm)	11"	10 1/2"	10"	9"		
		279mm	267mm	254mm	229mm		
PRESS	A-1	A-2	B	C	D	E	F
O.B.I.	40" 1016mm	36" 915mm	25" 635.4mm	31 11/16" 804.9mm	12 1/2" 317.7mm	6" 152mm	8 1/2" 216mm
DT	40" 1016mm	38" 965.8mm	26" 660.8mm	33 1/4" 844.55mm	13" 330.4mm	12" 305mm	5 1/16" 128.59mm

FOR MORE INFORMATION, CONTACT YOUR LOCAL  
BENCHMASTER DISTRIBUTOR, OR CALL MONECO  
DIRECT AT 1-800-421-5225



MONECO MACHINE COMPANY INC.  
13920 STRUIKMAN ROAD  
CERRITOS, CALIFORNIA 90703  
FAX: 562-404-9913  
TEL: 562-926-6906